

2/2-way poppet valve: Leakage-free version – Uncomplicated design –
Extremely high switching security also with long downtimes –
Corrosion proof execution

Hydraulic and electrical characteristics

- Operating pressure:** 360 bar max.
- Hydraulic fluid:** Mineral oil according to DIN 51524, other media on request
- Hydraulic fluid temperature range:** min. = -25 °C, max. = +70 °C
- Flow rate:** see Δp-Q-characteristic curve
- Viscosity range:** min. = 10 mm²/s, max. = 600 mm²/s
- Contamination class for arguments:** max. class 10 in accordance with NAS 1638

Filter recommendation: Filter support rate β₂₅>75

Decrease of pressure: see characteristic curve

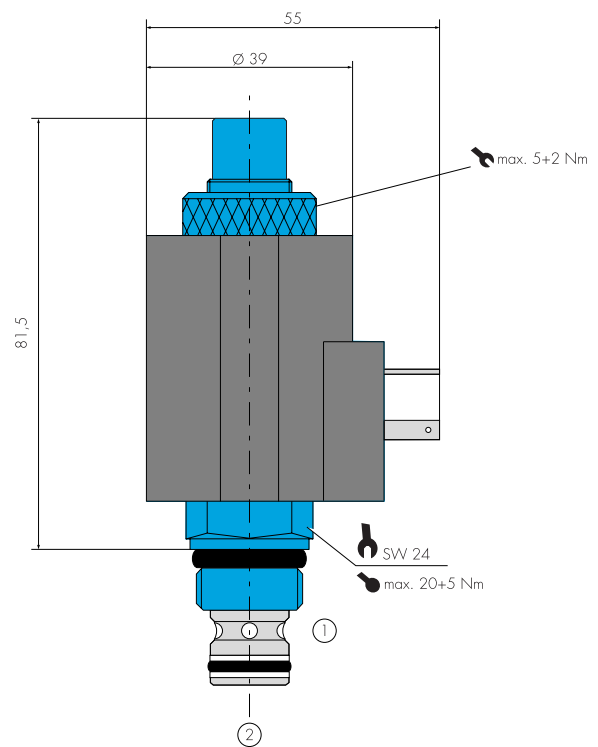
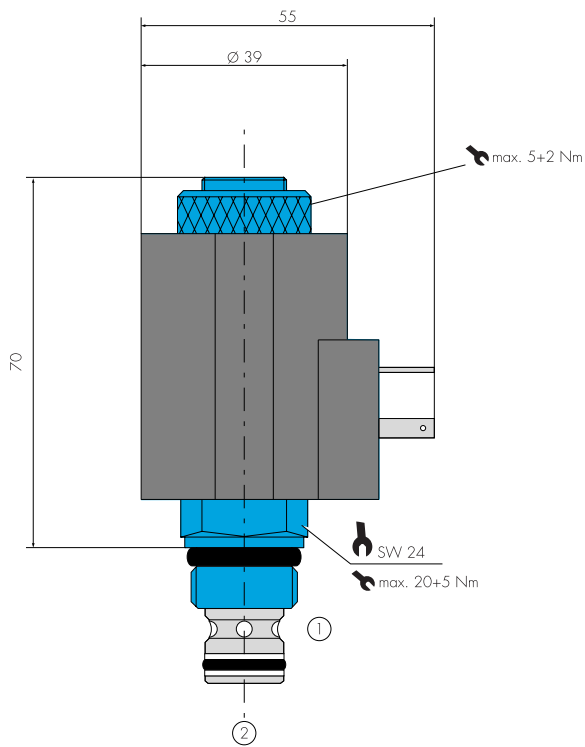
Actuation type electromagnetically

- Kind of tension:** DC ±10 %; AC +5 %, -10 % with electric rectifier plug socket
- Capacity:** 26 W; P₂₀
- Cyclic duration:** Continuous operation
- Enclosure:** IP65 for the coil
- Kind of connection:** see order data
- Weight:** completely 0,4 kg, without coil 0,2 kg

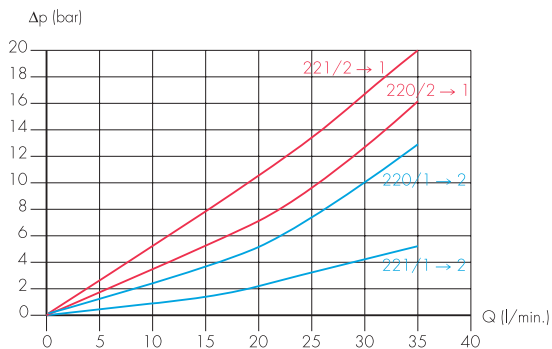
Switching symbols	Max. l/min.	Type	Emergency manual control	Fitting space	Operating tension V DC	Electrical kind of connection	Screwing in housing
EDSG 	30	220	O -	- 20 - 34	- 12 - 24 - 230	- D - DG	- 00 - A1/4 - A3/8 - H1/4 - H3/8
EDSO 	30	221	O NH				
DDSG 	15	222	O NH				
DDSO 	20	223	O NH				

Order example: **220 - O - 20 - 24 - D - 00**

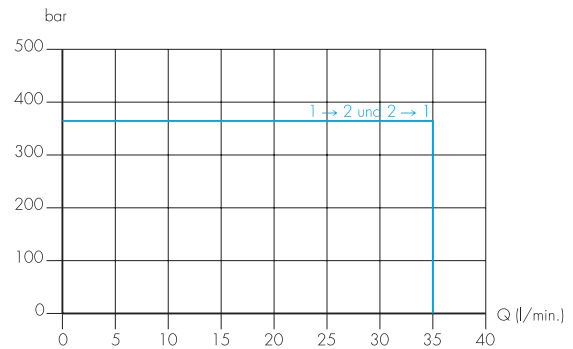
- Explanation:**
- Emergency manual control: O = without (solenoid operates); NH = with emergency hand
 - Thread: 20 = M20x1,5; 34 = 3/4" 16 UNF
 - Operating tension: 12 = 12 V DC and 24 = 24 V DC; 230 = 230 V AC in connection with electric rectifier plug AC
 - Kind of plug: D = DIN; DG = DIN with external electric rectifier
 - Screwing in housing: 00 = without (only valve); A1/4 = Connection housing R1/4"; A3/8 = Connection housing R3/8"; H1/4 = Hollow screw housing R1/4", incl. hollow screws R1/4"; H3/8 = Hollow screw housing R3/8", incl. hollow screws R3/8"



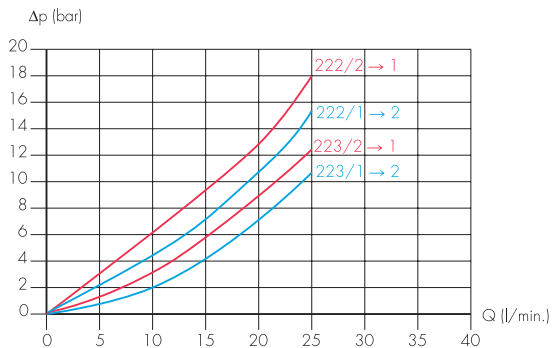
Pressure loss: Type 220 and 221



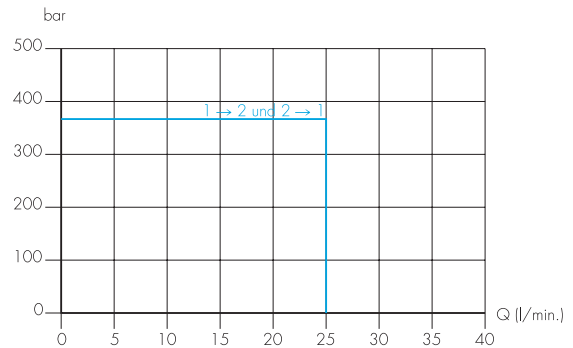
Contact rating range: Type 220 and 221



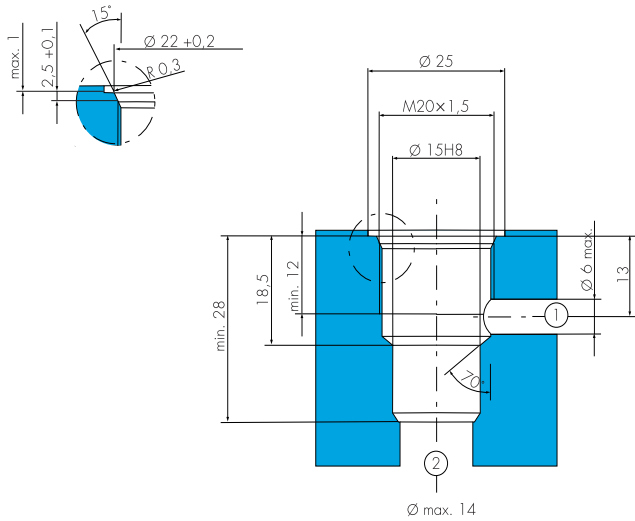
Pressure loss: Type 222 and 223



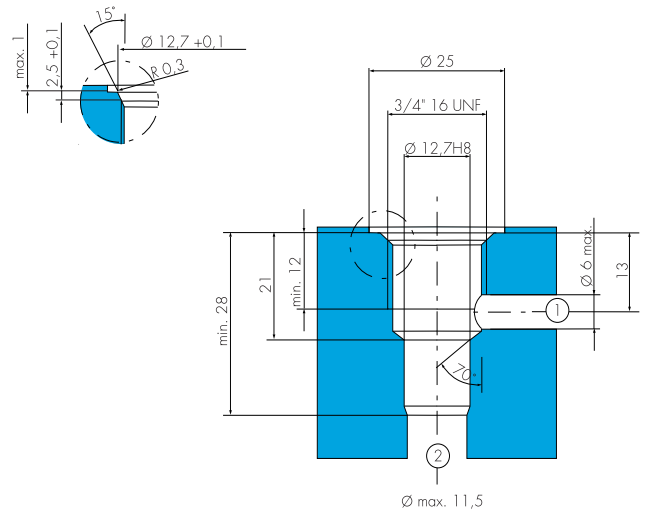
Contact rating range: Type 222 and 223



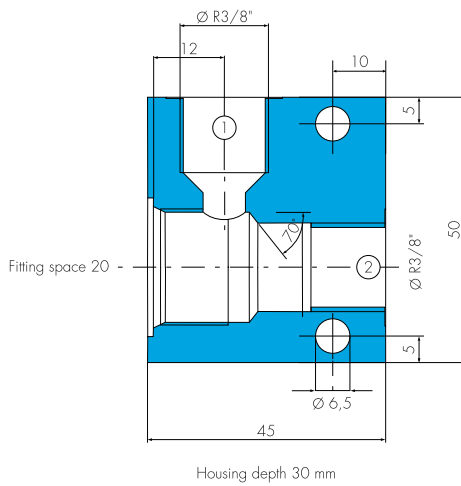
Fitting space: 20



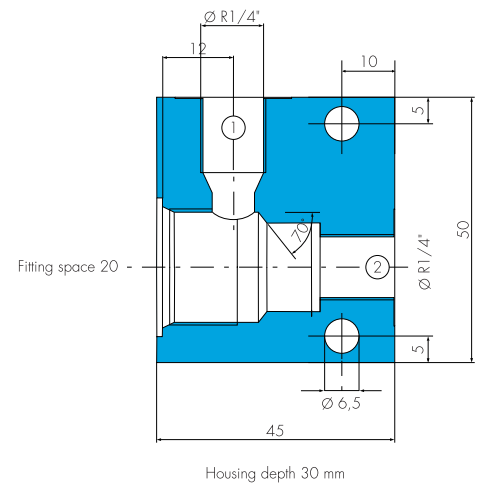
Fitting space: 34



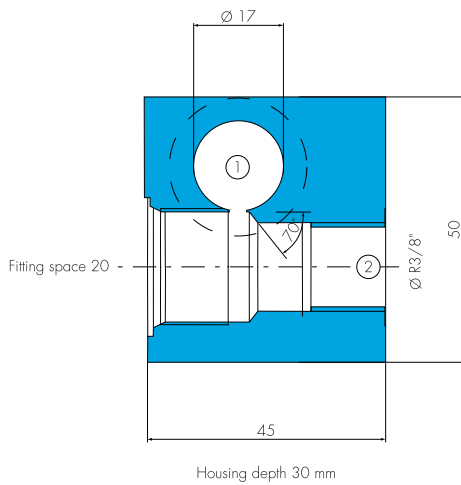
Connection housing A3/8



Connection housing A1/4



Hollow screw housing H3/8



Hollow screw housing H1/4

